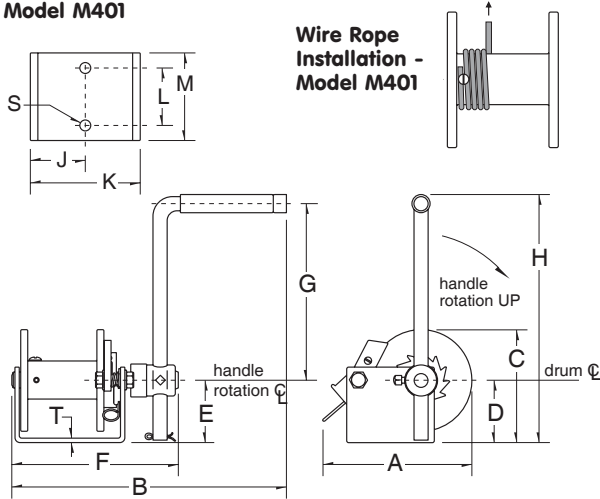
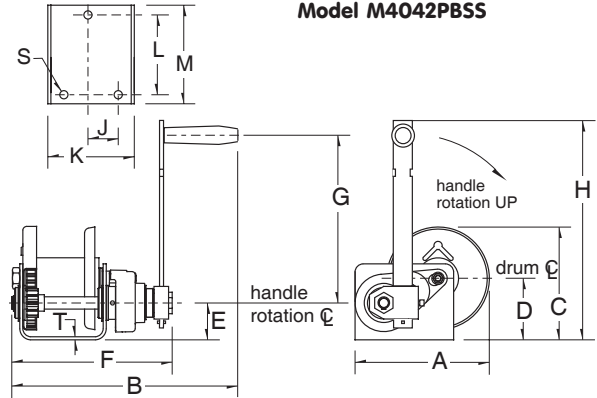


Model M401



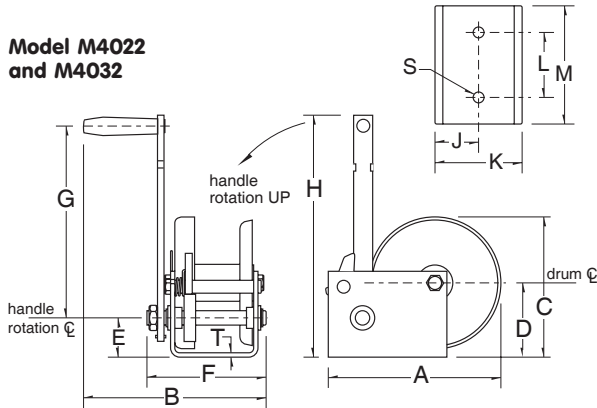
Model M4042PBSS



Wire Rope Installation - Models M4042PBSS

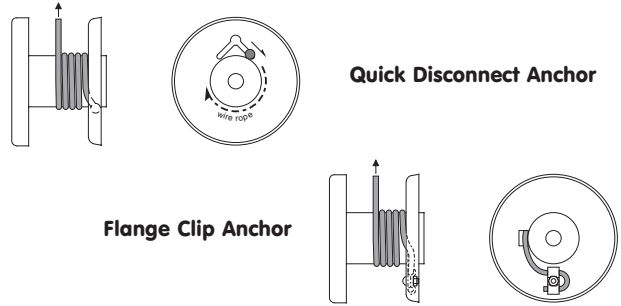
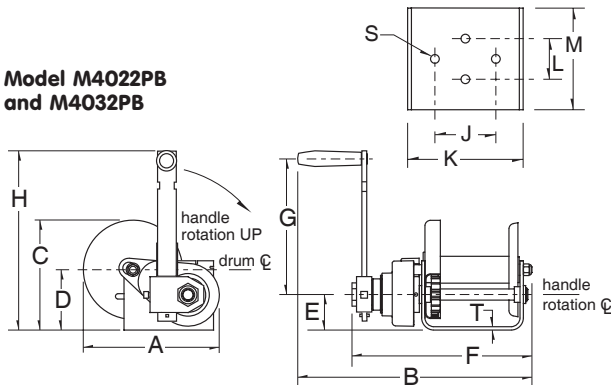
Model M4022 and M4022PB Base

Model M4022 and M4032



Model M4032 and M4032PB Base

Model M4022PB and M4032PB

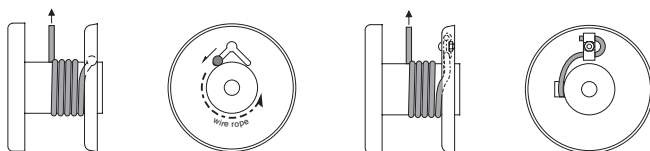


Spur Gear Hand Winches – Dimensions (in)

	M401	M4022	M4022PB	M4032	M4032PB	M4042PBSS
drum dia.	1.50	1.50	1.50	1.50	1.50	2.50
flange dia.	4.06	4.56	4.56	4.56	4.56	5.50
drum width	2.75	2.00	2.00	4.00	4.00	3.00
A	6.56	7.27	7.27	7.27	7.27	8.21
B	10.56	9.00	12.12	11.00	14.12	13.77
C	4.56	6.12	6.12	6.12	6.12	6.90
D	2.50	3.31	3.31	3.31	3.31	3.75
E	2.50	2.00	2.00	2.00	2.00	2.25
F	5.81	5.25	8.12	7.25	10.12	9.76
G ¹	8.50	11.03	10.59	11.03	10.59	10.59
H ¹	11.28	13.56	13.12	13.56	13.12	13.50
J	2.19	1.84	1.84	3.00	3.00	1.44
K	4.38	3.68	3.68	5.68	5.68	5.26
L	2.50	2.82	2.82	2.00	2.00	5.00
M	3.50	5.00	5.00	5.00	5.00	6.00
S(hole dia.)	.40	.43	.43	.43	.43	.41
T	.18	.18	.18	.18	.18	.18

Dimensions are for reference only and subject to change without notice.
¹ Models M401, M4022PB, M4032PB and M4042PBSS handles are adjustable, dimension shown is for maximum handle length.

Wire Rope Installation - Models M4022, M4022PB, M4032 and M4032PB



Quick Disconnect Anchor

Flange Clip Anchor

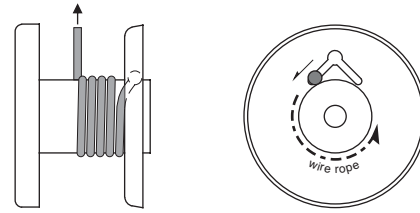
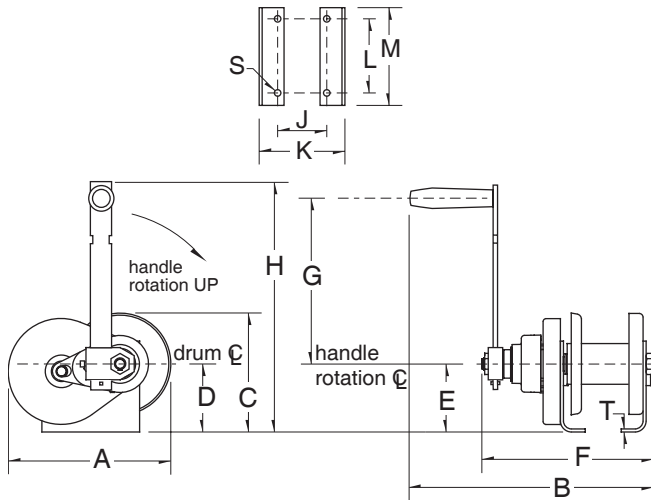
Important:

It is the owner's or operator's responsibility to determine the suitability of the equipment to its intended use. Study all applicable codes, manuals, and regulations. Be sure to read the Owner's Manual supplied with the equipment before operating it.

See Additional Dimensions on Next Page

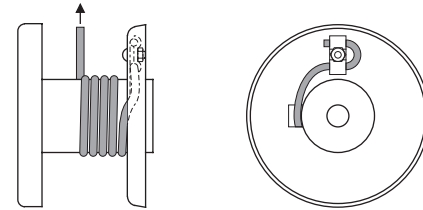
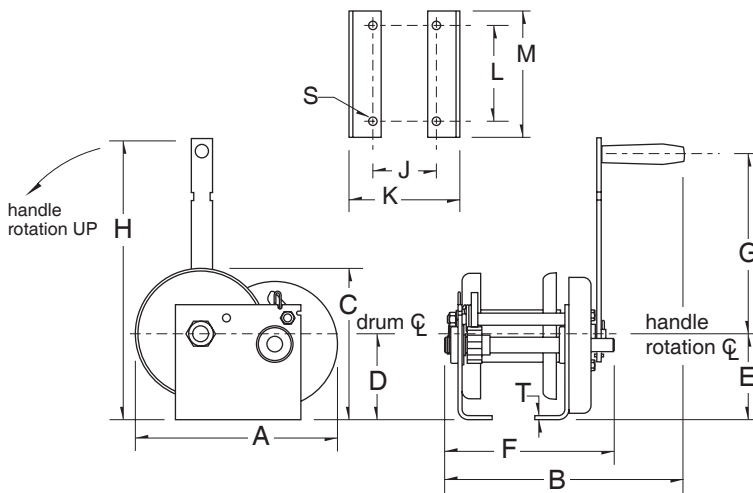
Models M4312PB, M4412PB and M4312PBSS

Wire Rope Installation - Models M4312, M4312PB, M4312PBSS, M4412 and M4412PB



Quick Disconnect Anchor

Models M4312 and M4412



Flange Clip Anchor

Spur Gear Hand Winches – Dimensions (in)

	M4312	M4312PB	M4312PBSS	M4412	M4412PB
drum dia.	2.50	2.50	2.50	2.50	2.50
flange dia.	5.50	5.50	5.50	5.50	5.50
drum width	3.00	3.00	3.00	6.00	6.00
A	10.00	10.00	10.00	10.00	10.00
B	12.70	14.50	14.50	15.70	17.50
C	7.15	7.15	7.15	7.15	7.15
D	4.00	4.00	4.00	4.00	4.00
E	4.00	4.00	4.00	4.00	4.00
F	8.00	10.78	10.78	11.00	13.78
G ¹	8.75	10.59	10.59	8.75	10.59
H ¹	13.35	15.19	15.19	13.35	15.19
J	3.34	3.34	3.34	6.34	6.34
K	5.31	5.31	5.31	8.31	8.31
L	5.00	5.00	5.00	5.00	5.00
M	6.00	6.00	6.00	6.00	6.00
S (hole dia.)	.40	.40	.41	.40	.40
T	.18	.18	.18	.18	.18

Dimensions are for reference only and subject to change without notice.

¹ Models M4312PB, M4312PBSS and M4412PB handles are adjustable, dimension shown is for maximum handle length.

Important:
It is the owner's or operator's responsibility to determine the suitability of the equipment to its intended use. Study all applicable codes, manuals, and regulations. Be sure to read the Owner's Manual supplied with the equipment before operating it.