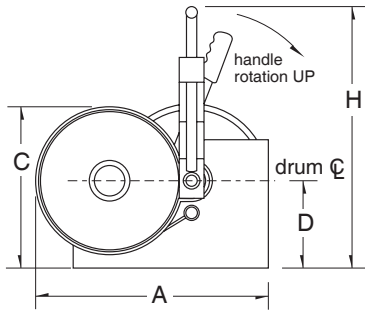
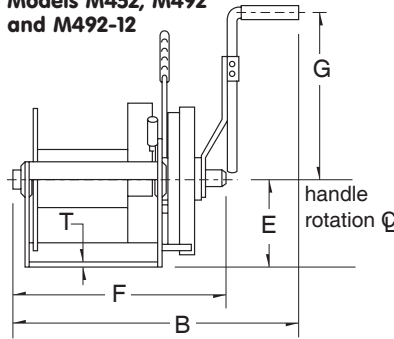
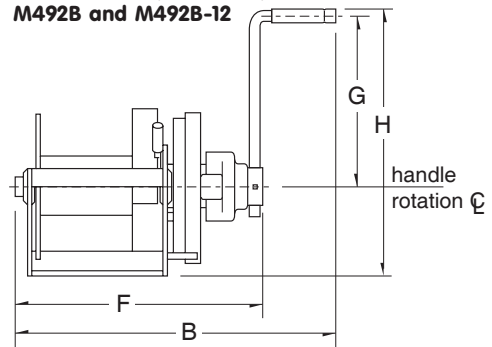
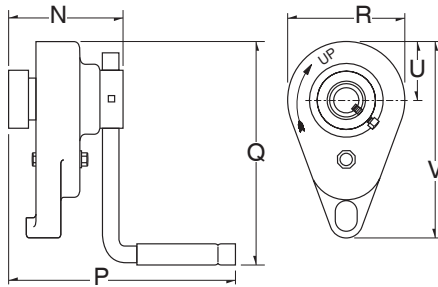
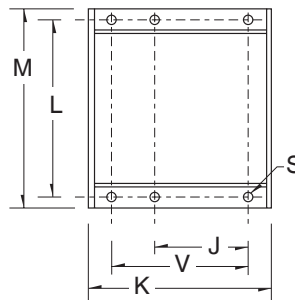
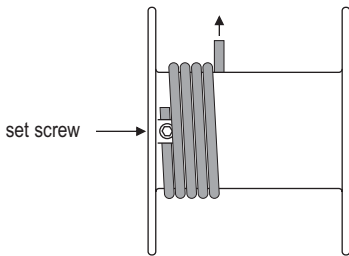
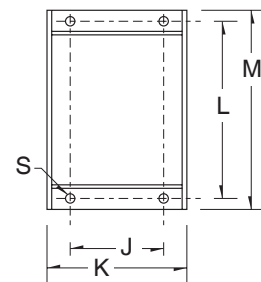


**All Models**

**Models M452, M492  
and M492-12**

**Models M452B, M452B-A,  
M492B and M492B-12**

**Models MB451 and MB491**

**Base for M492-12  
and M492B-12**

**Base for M452, M452B,  
M452B-A, M492 and  
M492B Models**

**Wire Rope Installation - All Models**
**Disc Brakes – Dimensions (in)**

	MB451	MB491
N	4.97	5.15
P	10.44	10.62
Q <sup>1</sup>	21.25	21.38
R	4.87	4.87
U	2.44	2.44
V	8.62	10.56

Dimensions are for reference only and are subject to change without notice.

<sup>1</sup> Handles are adjustable, dimension shown is for maximum handle length.

**Important:**

It is the owner's or operator's responsibility to determine the suitability of the equipment to its intended use. Study all applicable codes, manuals, and regulations. Be sure to read the Owner's Manual supplied with the equipment before operating it.

**Spur Gear Hand Winches – Dimensions (in)**

	M452	M452B	M452B-A	M492	M492B	M492-12	M492B-12
drum dia.	4.00	4.00	4.00	5.00	5.00	5.00	5.00
flange dia.	8.50	8.50	8.50	12.38	12.38	12.38	12.38
drum width	6.38	6.38	4.00	7.62	7.62	12.00	12.00
A	15.25	15.25	15.25	20.38	20.38	20.38	20.38
B	22.00	21.90	19.62	25.12	25.00	29.50	29.38
C	10.69	10.69	10.83	14.00	14.00	14.00	14.00
D	5.81	5.81	5.81	7.50	7.50	7.50	7.50
E	5.81	5.81	5.81	7.50	7.50	7.50	7.50
F	14.81	16.43	14.06	18.44	19.53	22.82	23.90
G <sup>1</sup>	18.62	18.38	18.38	22.50	18.50	22.50	18.50
H <sup>1</sup>	24.44	24.19	24.19	30.00	26.00	30.00	26.00
J	6.75	6.75	4.50	8.00	8.00	8.00	8.00
K	9.50	9.50	7.12	12.00	12.00	16.38	16.38
L	11.25	11.25	11.25	15.50	15.50	15.50	15.50
M	12.50	12.50	12.50	17.00	17.00	17.00	17.00
S (hole dia.)	.56	.56	.56	.81	.81	.81	.81
T	.25	.25	.25	.38	.38	.38	.38
V	-	-	-	-	-	12.38	12.38

Dimensions are for reference only and subject to change without notice.

<sup>1</sup> Handles are adjustable, dimension shown is for maximum handle length.