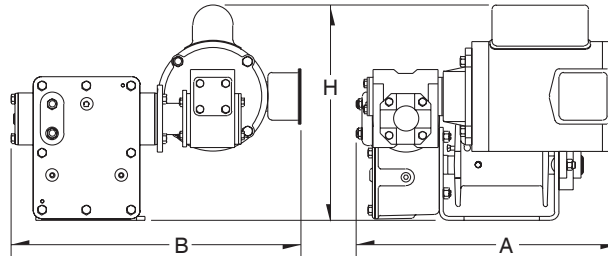


Options and Accessories

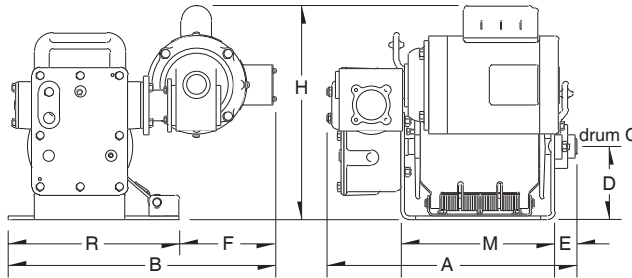
- **Emergency Hand Crank** for manual operation in case of power failure. Does not include handle.
- **Two Part Line Kit** to convert to double line rigging. **Not available for 4WP2 Series.**
- **Rotary Limit Switches** for secondary shut-off to limit load travel in one or two directions. **Not available on clutch models.**
- **Special Motors and Controls** including severe duty and explosion proof.
- **Special Finishes** for hazardous environments.
- **Torque Limiters** as part of the motor controls on electric models.

Important:

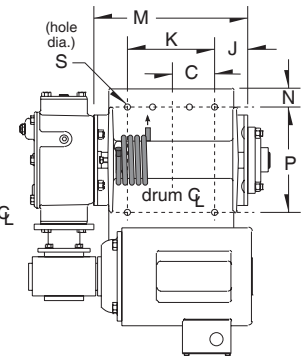
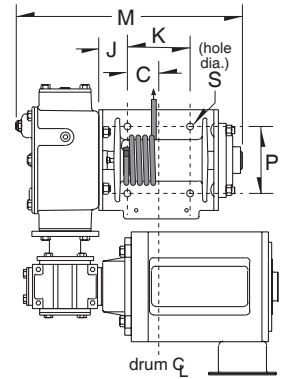
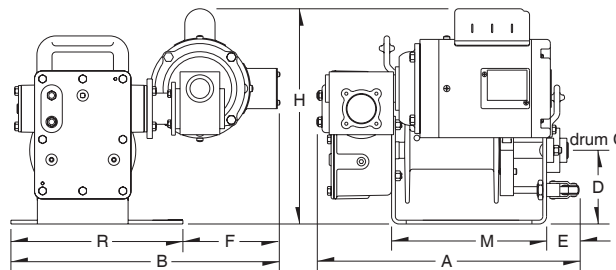
It is the owner's or operator's responsibility to determine the suitability of the equipment to its intended use. Study all applicable codes, manuals, and regulations. Be sure to read the Owner's Manual supplied with the equipment before operating it.

Side View
Series 4WP2


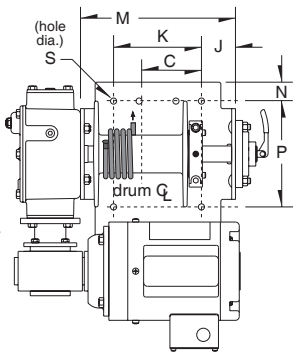
Install wire rope correctly as shown, or brake will not operate properly.

Rear View
Series 4WP2T8


Install wire rope correctly as shown, or brake will not operate properly.

Top View

Series 4WP2TC clutch models


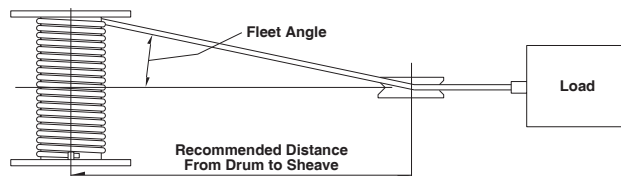
Install wire rope correctly as shown, or brake will not operate properly.


Series 4WP2 and 4WP2T – Dimensions (in)

model number	A ¹	B ¹	C	D	E	F	H ¹	J	K	M	N	P	R	S (hole dia.)
4WP2	15.63	17.28	1.72	–	–	–	12.84	1.72	3.75	13.50	–	4.00	–	.41
4WP2T8-2000-8	16.62	17.80	2.75	4.88	1.44	6.43	14.25	2.25	5.81	10.25	1.25	7.00	11.38	.41
4WP2TC-2000-8	17.34	17.80	4.02	4.88	2.16	6.43	14.25	2.25	5.81	10.25	1.25	7.00	11.38	.41

Dimensions are for reference only and subject to change without notice.

¹ Dimensions A, B and H may vary with motor selection.


Series 4WP2 and 4WP2T – Drum Dimensions

model extension	drum diameter	flange diameter	drum width	fleet angle distance ²
4WP2	2.50 in	5.00 in	5.00 in	8 ft
4WP2T8-2000-8	2.50 in	7.00 in	8.00 in	13 ft
4WP2TC-2000-8	2.50 in	7.00 in	5.50 in	9 ft

Dimensions are for reference only and subject to change without notice.

² Recommended minimum distance between drum and lead sheave for smooth drum.